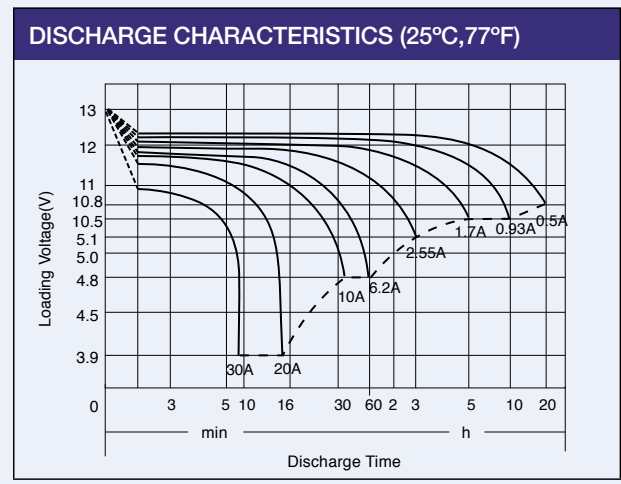
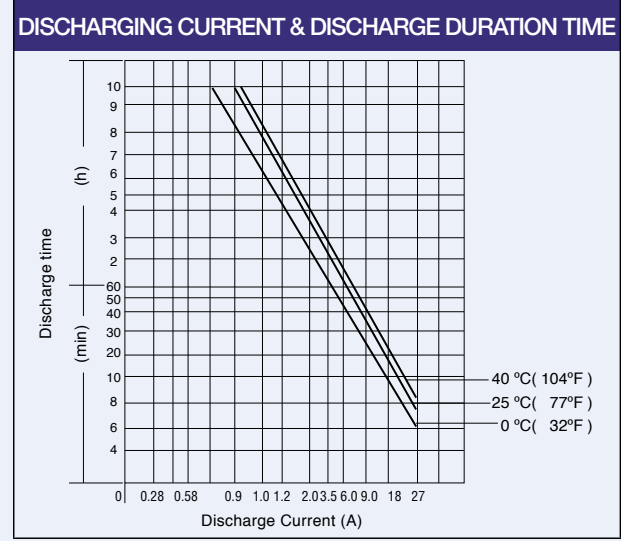
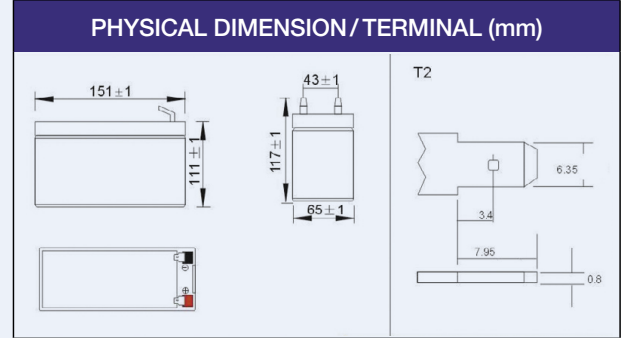


# PS12100 Specifications



PHYSICAL SPECIFICATION		
Nominal Voltage		12V
Nominal Capacity (20HR)		10AH
Dimension	Length	151 ± 1mm (5.95 inches)
	Width	65 ± 1mm (2.56 inches)
	Container Height	111 ± 1mm (4.37 inches)
	Total Height (with Terminal)	117 ± 1mm (4.61 inches)
Weight		Approx 3.30kg (7.28lbs)
Terminal Type		T2

ELECTRICAL SPECIFICATION					
Rated Capacity	20 hour rate (500mA)	10.00AH	Constant-Voltage Charge	Cycle	Initial Charging Current less than 3.6A. Voltage 14.4V~15.0V at 25°C (77°F) Temp. Coefficient -30mV/°C
	10 hour rate (930mA)	9.3AH			
	5 hour rate (1.70A)	8.5AH			
	1 hour rate (6.20A)	6.2AH			
	15minute rate (19.6A)	4.9AH			
Capacity affected by Temperature	40°C (104°F)	103%	Standby	No limit on Initial Charging Current Voltage 13.5V~13.8V at 25°C (77°F) Temp. Coefficient -20mV/°C	
	25°C (77°F)	100%			
	0°C (32°F)	86%			

**CONSTANT CURRENT (AMP) AND CONSTANT POWER (WATT) DISCHARGE TABLE 7°F**

Amp/Watt	Time (minute)	5	10	15	20	30	45	60	120	180	300	600	1200
	Final voltage/Cell	1.3	1.3	1.3	1.3	1.6	1.6	1.67	1.7	1.75	1.75	1.75	1.8
A		40.00	28.50	19.60	16.00	11.50	8.00	6.20	3.50	2.55	1.70	0.93	0.50
W		71.60	53.60	37.30	31.30	22.60	15.90	12.30	6.96	5.07	3.40	1.86	1.01

Trade Enquiries 1300 362 287  
[www.centurybatteries.com.au](http://www.centurybatteries.com.au)

